

SUPPLEMENT

TO THE

NEW ZEALAND GAZETTE

OF

THURSDAY, NOVEMBER 14, 1907.

Published by Authority.

WELLINGTON, THURSDAY, NOVEMBER 14, 1907.

CONTENTS.

	Page
International and Intercolonial Arrangements for the Mutual Protection of Inventions .. ..	3359
Patent Publications in New Zealand .. ..	3360
Books and Documents open to Inspection at Patent Office, Wellington .. ..	3360
Official Publications .. ..	3360
Local Patent Offices .. ..	3361
Patent Office Agent appointed .. ..	3361
Patent Agent registered .. ..	3361
Applications for Letters Patent filed .. ..	3361
Complete Specifications filed after Provisionals .. ..	3362
Complete Specifications accepted .. ..	3362
Provisional Specifications accepted .. ..	3365
Letters Patent sealed .. ..	3365
Letters Patent on which Fees have been paid .. ..	3366
Subsequent Proprietors of Letters Patent registered .. ..	3366
Applications for Letters Patent abandoned .. ..	3366
Applications for Letters Patent void .. ..	3366
Applications for Letters Patent lapsed .. ..	3367
Letters Patent void .. ..	3367
Design registered .. ..	3367
Applications for Registration of Trade Marks .. ..	3367
Trade Marks registered .. ..	3372
Trade Mark Renewal Fees paid .. ..	3372
Subsequent Proprietor of Trade Mark registered .. ..	3372
Trade Marks removed from the Register .. ..	3372

*International and Intercolonial Arrangements for the Mutual Protection of Inventions.*

INTERNATIONAL CONVENTION.

THE following countries now belong to the Convention:—

Australia.	Japan.
Belgium.	Mexico.
Brazil.	New Zealand.
Ceylon.	Norway.
Cuba.	Portugal, with the Azores and Madeira.
Denmark.	Servia.
Dominican Republic.	Spain.
France, with Algeria and Colonies.	Sweden.
Germany.	Switzerland
Great Britain.	Tunis.
Italy.	United States of America.

Separate arrangements have also been made between Australia and New Zealand.

Particulars of the Convention and of such arrangements may be seen in the following *Gazettes*:—

Notification of adhesion of New Zealand to the Convention, with text thereof (in English), in the *Gazette* of 26th November, 1891; notification of adherence of New Zealand to the Additional Act of the Convention, with text (in English), of such Additional Act, in Patents Supplement to *Gazette* No. 101, of the 16th November, 1905; Order in Council applying section 103 of the Imperial Act to New Zealand, in *Gazette* No. 27, of the 15th May, 1890; Orders in Council containing arrangements between Australia and New Zealand, in Patent Supplements to the *Gazette* Nos. 22 of the 9th March, 1905, and 38 of the 20th April, 1905.

*Patent Publications in New Zealand.*

THE following publications relating to Patents for inventions, &c., are open to inspection in the colony:—

## WELLINGTON.—PATENT OFFICE LIBRARY.

*United Kingdom.*

The full text of the specifications and complete drawings of inventions patented from the year 1617 up to the 8th August, 1907.

Classified illustrated abridgments of inventions from 1855 to 1904.

Illustrated Official Journal, containing lists of recent applications, abridgments of inventions for which patents have been lately granted, patents void, &c., to September, 1907.

Index of Applicants.

Subject-matter Index.

Commissioner of Patents Journal, &c. (a).

Trade Marks Journal to August, 1907.

*Canada.*

Patent Office Record (containing illustrated abridgments of inventions, &c.) to March, 1907.

*Australia.*

The full text of the specifications and complete drawings in respect of applications accepted from the 11th January to the 1st March, 1907, inclusive.

The Official Journal of Patents of the Australian Commonwealth (containing lists of applications for letters patent, abridgments of complete specifications accepted, &c.).

The Australian Official Journal of Trade Marks (containing lists of applications for registration of trade marks, &c.).

Specifications, drawings, abridgments, and indexes of Victoria, New South Wales, Queensland, and South Australia (b).

*United States.*

The full text of the specifications and drawings for the first half of the year 1905.

The Official Gazette of the United States Patent Office (containing illustrated abridgments of specifications, &c.) to September, 1907.

*Mexico.*

The Official Gazette of the Patent and Trade Mark Office.

*General.*

La Propriété Industrielle (the official organ of the International Bureau of the Union for the Protection of Industrial Property).

Patent laws of the world.

Patent and Trade Mark Review.

Text-books and handbooks on patents and trade marks.

## AUCKLAND.—PUBLIC LIBRARY.

*United Kingdom.*

Classified abridgments of inventions from 1855 to 1904.

Illustrated Official Journal from 1897 to date.

*Canada.*

Patent Office Record (containing illustrated abridgments of inventions, &c.) from 1897 to date.

*Australia.*

The Official Journal of Patents from 1905 to date.

*United States.*

The Official Gazette of the United States Patent Office (containing illustrated abridgments of specifications, &c.) from 1885 to 1887 and 1890 to 1895.

## CHRISTCHURCH.—PUBLIC LIBRARY.

*United Kingdom.*

Classified abridgments of inventions from 1855 to 1904.

Illustrated Official Journal from October, 1905, to date.

*Canada.*

Patent Office Record (containing illustrated abridgments of inventions, &c.) from 1897 to date.

*Australia.*

The Official Journal of Patents from 1905 to date.

## DUNEDIN.—TOWN HALL.

*United Kingdom.*

Classified abridgments of inventions from 1855 to 1904.

Illustrated Official Journal from October, 1905, to date.

*Australia.*

The Official Journal of Patents from 1905 to date.

(a) Discontinued.

(b) In arrear. Not now being printed.

*Books and Documents open to Inspection at Patent Office, Wellington.*

THE following documents and books are open to public inspection at the Patent Office:—

## PATENTS.

(Fee for each search or inspection, not exceeding one hour, 1s.)

1. The files relating to all applications for letters patent in respect of which complete specifications have been accepted.
2. Classified copies of specifications and drawings, with index and key (a).
3. Register of Applications for Letters Patent.
4. Register of Patents.
5. Register of Subsequent Proprietors of Letters Patent (b).
6. Index of Patentees (c).
7. Index of Proprietors of Letters Patent granted prior to 1890 (d).
8. Index of Specifications (e).

## DESIGNS.

(Search fee, 1s. each quarter of an hour.)

1. Register of Designs, with Index of Names of Proprietors.
2. Classified Representations of Designs in respect of which Copyright has expired.
3. Index of Designs.

## TRADE MARKS.

(Search fee, 1s. each quarter of an hour.)

1. The files relating to all applications for registration of trade marks.
2. Register of Applications for Registration of Trade Marks.
3. Register of Trade Marks.
4. Index of Applicants for Registration of Trade Marks (f).
5. Index of Trade Marks.
6. Classified Representations of Trade Marks, with indexes.

## MISCELLANEOUS.

Register of Patent Agents.

## FORMS AND PUBLICATIONS.

The following forms, &c., may be had on application at the Patent Office, Wellington, or at any of the local Patent Offices named below:—

Application for letters patent.

Provisional specification.

Complete specification and copy thereof.

Application for registration of design.

Application for registration of trade mark.

Applications for extension of time.

Requests by subsequent proprietor to enter name on Register of Patents and Trade Marks.

Printed sheets of information as to fees and procedure to obtain letters patent and to register a trade mark (g).

Pamphlet containing Act and Regulations (price 1s.).

(a) Key is in card index.

(b) This Register contains only names of subsequent proprietors of letters patent granted prior to 1st January, 1890; since that date they appear in Register of Patents.

(c) Includes all names of applicants, &c., and consists of four volumes to 4th November, 1903, and card index since that date. A separate card index is kept for current quarter.

(d) The names of proprietors of subsequent letters patent appear in the Index of Patentees.

(e) Contains classified abridgments of specifications from 1861, with extracts from drawings from July, 1904.

(f) Names of applicants for registration and proprietors of trade marks are indexed at the beginning of the Registers up to 31st December, 1889; in separate volume up to 5th September, 1904; and since the latter date in card index.

(g) May also be obtained at any local Patent Office or money-order office.

*Official Publications.*

THE following publications may be obtained from the Government Printer, Wellington:—

Printed specifications to the end of the year 1879.

Annual lists of letters patent and letters of registration applied for, and particulars of applications lapsed, and patents lapsed, from 1880 to 1888 inclusive.

Annual reports of the Registrar, containing alphabetical lists of applicants for letters patent and of inventions patented from 1889 to 1906 inclusive.

The Patents Supplement to *Gazette* (containing notifications, applications for letters patent, abridged descriptions and drawings of inventions, &c.), published fortnightly.

Local Patent Offices.

LOCAL Patent Offices for supplying forms and for receiving applications for transmission to the Patent Office *without extra charge* have been established at the following places:—

Auckland  
Gisborne  
Napier  
Nelson  
Blenheim  
Christchurch  
Dunedin

} Supreme Court Offices.

Thames  
Wanganui  
Greymouth  
Timaru  
Oamaru  
Ashburton  
New Plymouth  
Westport  
Hokitika  
Invercargill  
Queenstown

} District Court Offices.

PATENT AGENTS.

A list of registered patent agents may be obtained on application.

Patent Office Agent appointed.

Department of Justice,  
Wellington, 13th November, 1907.

HIS Excellency the Governor has been pleased to appoint

WILLIAM WALTERS SAMSON

to be Patent Office Agent at Christchurch as from the 24th June, 1907.

J. MCGOWAN.

Patent Agent registered.

Patent Office,  
Wellington, 13th November, 1907.

IT is hereby notified that

WILLIAM THOMPSON CHURCHWARD,

of Blenheim, in the Dominion of New Zealand, Solicitor, has been registered as a Patent Agent.

Applications for Letters Patent filed.

LIST of Applications for Letters Patent filed. (Where a complete specification accompanies an application an asterisk is affixed; in all other cases a provisional specification has been lodged. In all cases where the applicant is not the inventor the name of the latter appears in italics after the title.)

- No. 23661.—30th October.—E. Bellini and A. Tosi, Paris, France.  
Wireless telegraphy system.\*
- No. 23662.—30th October.—B. O. Roberts, Calcutta, India.  
Sheet-metal roofing.\* (E. L. Cantwell.)
- No. 23663.—30th October.—J. E. Watts, Wellington, N.Z.  
Boot-last.
- No. 23664.—30th October.—R. D. Long, Auckland, N.Z.  
Internal-combustion engine.
- No. 23665.—31st October.—J. Gaut, Leiohardt, N.S.W.  
Photographic camera.
- No. 23666.—31st October.—J. Sharp and F. Dedden, Rockdale, N.S.W.; and C. Domars and R. W. Fraser, Sydney, N.S.W.  
Rotary engine.
- No. 23667.—31st October.—P. R. Hughes, Geelong, Vic.  
Hoisting and stacking bales of wool, &c.
- No. 23668.—31st October.—Gerber Michaut and Co., Sydney, N.S.W.  
Acetylene generator.\* (P. G. Aylmer—H. R. R. Lewis.)

- No. 23669.—30th October.—J. Coulthard, Mercer, N.Z.  
Broom-handle machine.
- No. 23670.—1st November.—A. G. Watson, Christchurch, N.Z.  
Swingle-tree end.
- No. 23671.—29th October.—J. A. Murchison, Waikaiti, N.Z.  
Wire-strainer.
- No. 23672.—29th October.—A. Blair, Dunedin, N.Z.  
Animal-cover fastening.\*
- No. 23673.—2nd November.—C. E. Woledge, Christchurch, N.Z.  
Collapsible horn for talking-machine.
- No. 23674.—1st November.—A. Porter, Dunedin, N.Z.  
Animal-trap.
- No. 23675.—1st November.—R. Millar and H. W. Spear, Colac Bay, N.Z.  
Spark-arrester.
- No. 23676.—6th November.—J. W. Synnerholm, Matakana, N.Z.  
Extracting kauri-gum from sand.\*
- No. 23677.—6th November.—R. M. Smith, Auckland, N.Z.  
Junction-chamber for drainpipes, &c.\*
- No. 23678.—6th November.—W. Haslam, Carlton, Vic.  
Motor-vehicle wheel.
- No. 23679.—7th November.—T. W. Sands, Roseville, N.S.W.  
Vibrating-forks of sheep-shearing machines.
- No. 23680.—2nd November.—R. Dunne, Dunedin, N.Z.  
Mitre-cutter.
- No. 23681.—2nd November.—Marconi's Wireless Telegraph Company, Limited.  
Transmitter for wireless telegraphy.\* (G. Marconi.)
- No. 23682.—6th November.—C. W. Gordon, Melbourne, Vic.  
Toe-strap for cycles.
- No. 23683.—7th November.—S. J. Phillips, Hallett, S.Aust.  
Cutting and cauterising device.
- No. 23684.—7th November.—G. E. Dod, Maryborough, Queensland.  
Internal-combustion gas-turbine.\*
- No. 23685.—7th November.—W. P. Notcutt, London, Eng.  
File or rasp.\*
- No. 23686.—7th November.—S. O. Cowper-Coles, London, Eng.  
Electro deposition of iron.\* (Date applied for under section 106, 18th December, 1906.)
- No. 23687.—7th November.—D. Roberts and C. James, Grantham, Eng.  
Internal-combustion engine.\*
- No. 23688.—7th November.—A. Siddall, Bondi, N.S.W.  
Attachment for supporting pictures.\*
- No. 23689.—7th November.—H. W. Earp-Thomas, Wellington, N.Z.  
Indicating time of clearance for letter pillar box, &c.
- No. 23690.—7th November.—C. Bromley, Wellington, N.Z.  
Sole-squarer and channel-closer for boot and shoe making.
- No. 23691.—7th November.—P. A. Le Marquand, Auckland, N.Z.  
Utilising engine-exhaust for heating liquids.
- No. 23692.—7th November.—D. Amos, Wellington, N.Z.  
Insulating sleeves of electric trolley-pole.
- No. 23693.—8th November.—H. Brown, Wairoa, H.B.  
Docking and branding iron.
- No. 23694.—9th November.—H. L. Finnis, Napier, N.Z.  
Docking-iron.
- No. 23695.—4th November.—C. Tattersfield, Gisborne, N.Z.  
Waterproof solution.\*
- No. 23696.—6th November.—J. Ehrman, Lake Takapuna, N.Z.  
Trousers-leg bottom-end protector.
- No. 23697.—9th November.—M. J. T. R. Brown, Wellington, N.Z.  
Women's singlet.
- No. 23698.—6th November.—E. Vague, Levels, N.Z.  
Cleaning and classing potatoes.
- No. 23699.—5th November.—P. Marino, London, England.  
Rendering celluloid unflammable.\*
- No. 23700.—9th November.—S. P. Evans, Dunedin, N.Z.  
Manufacture of rolling-stock wheels.\*
- No. 23701.—9th November.—A. McCorkindale, Lawrence, N.Z.  
Screw propeller.
- No. 23702.—8th November.—R. J. Kyle, Dunedin, N.Z.  
Bread, and process of making same.
- No. 23703.—12th November.—W. J. Roche, Feilding, N.Z.  
Hospital. (G. W. Holmes.) (Date applied for under section 106, 6th December, 1906.)
- No. 23704.—12th November.—P. Rafferty, Wellington, N.Z.  
Electric attachment.

*Complete Specifications filed after Provisionals.*

LIST of complete specifications filed after provisional specifications, from the 29th October to the 11th November, 1907, inclusive:—

- No. 22396.—W. McEachern, measured charge delivery-device.  
 No. 22408.—G. F. Hutchinson, hydraulic vacuum pump.  
 No. 22419.—G. Saur, flushing-cistern.  
 No. 22487.—A. S. Hudson, pliers for earmarking sheep.  
 No. 22704.—C. Uddström, driving locomotive by chain gear.  
 No. 22747.—G. R. Hale, scaffolding-bracket.  
 No. 22882.—T. E. Carter, window-sash lifter and lock.  
 No. 23469.—O. Coates, tramway or railway point-shifter.  
 No. 23577.—W. Morton, bag-fastener.

*Notice of Acceptance of Complete Specifications.*

Patent Office,  
 Wellington, 13th November, 1907.

COMPLETE specifications relating to the undermentioned applications for Letters Patent have been accepted, and are open to public inspection at this office. Any person may, at any time within two months from the date of this *Gazette*, give me notice in writing of opposition to the grant of any such patent. Such notice must set forth the particular grounds of objection, and be in duplicate. A fee of 10s. is payable thereon.

No. 21845.—29th September, 1906.—JAMES LANGFORD, of Waihi, New Zealand, Mining Engineer. An improved amalgamating-machine for saving gold and silver.\*

*Claims.*—(1.) An amalgamating-machine for saving gold and silver, the same consisting of a plate or plates arranged on an inclined plane or planes upon a central axis, and the surfaces of which are covered with ore-catching and retaining material, the whole being adapted to revolve by the action of a current of water in which it is placed, substantially as specified. (2.) The improved amalgamating-machine, substantially as described and explained, and as illustrated in the drawings.

(Specification, 2s. 6d.; drawing, 1s.)

No. 22019.—6th November, 1906.—CHENERY SUGGATE, Gas Engineer, and WILLIAM EDWARD CAYLEY-ALEXANDER, Mining Engineer, both of Auckland, New Zealand. An improved furnace for the treatment of complex or refractory ores.\*

*Extract from Specification.*—This invention relates to an improved construction of furnace for the treatment of complex or refractory gold, silver, and other metal-bearing ores, and wherein the ore to be treated is roasted while being subjected to the action of pure water gas in a gaseous state under pressure, the atmospheric air being excluded from the furnace during such action, the ores so treated being thereby rendered exceedingly friable, the base metals and materials contained in the ores being carried off as volatile compounds with the constituent gases of the water-gas—that is to say, equal volumes of carbon monoxide and hydrogen—or being reduced to such a condition as will permit of the valuable metal contained in the ore being readily separated from the base metals by subsequent amalgamation or other suitable treatment, the water-gas and gaseous fuel for such process being produced in the manner described.

[NOTE.—The above extract from the specification is inserted in place of the claims.]

(Specification, 7s.; drawing, 7s.)

No. 22120.—27th November, 1906.—CORK ASPHALT, LIMITED, of 85 London Wall, E.C., London, and JOSEPH WILLIAM WALKER, Secretary of said Company (assignees of Charles Morland Cumingham Hughes, of Blomfield House, London Wall, London, Colonial Broker; Thomas Henry Quinlan, of 11 Angel Court, in the said city, Gentleman; and Robert Middleton, of Sheepshear Foundry, Leeds, York, England, Engineer). Improvements in machines for making blocks, plates, or other articles from plastic materials.

*Claims.*—(1.) In a machine for making blocks, plates, or other articles from plastic materials, the combination with a hopper and mixing chamber of a mould-feeding plunger, a plunger for pushing the filled moulds upon a clamp and a

hydraulic press for compressing the moulded articles, a feed-table for bringing the moulds within reach of the other parts of the machine, and the reciprocating feed-plunger which causes the moulds to be successively passed from the feed-table to the operating parts of the machine, all as specified and as illustrated in the drawings. (2.) In a machine for making blocks, plates, or other articles from plastic materials, the feed-mechanism constructed and operating as shown in and described with reference to Figs. 6 to 9b. (3.) A machine for making blocks, plates, or other articles from plastic materials, constructed and operating substantially as set forth and as illustrated in the drawings.

(Specification, 6s. 6d.; drawing, 6s.)

No. 22222.—20th December, 1906.—UNITED SHOE MACHINERY COMPANY, of Paterson, State of New Jersey, United States of America, a corporation duly organized under the laws of said State of New Jersey, and having a place of business at 205 Lincoln Street, Boston, Massachusetts, United States of America (assignees of Arthur Bates and Henry Percival Gamble, of Leicester, England, Engineers). Improvements in or relating to machines for inserting fastenings.\*

*Claims.*—(1.) In a machine for inserting fasteners, protectors, or similar articles into stock, the combination with a nail-changing device and its actuator of a work-calipering device that establishes or renders operative a connection between the changing device and the actuator, for the purpose described. (2.) In a machine for inserting fasteners, protectors, or similar articles into stock, the combination with a nail-changing device and its actuator of a work-calipering device that establishes different operative relationships between the changing device and the actuator, for the purpose described. (3.) In a machine for inserting fasteners, protectors, or similar articles into stock, an actuator that is a reciprocating machine-element (for example, 66) travelling upon and relatively to a part that is in operative connection with the work-calipering means, and that is shifted by said part in a direction transverse to that of the reciprocation to establish different operative relationships between the nail-changing device and said actuator. (4.) In a machine for inserting a plurality of different fasteners or protectors, or similar articles into stock, the combination of a fastener-changing member and a member to actuate the fastener-changing member, each member having one or more knife-edges and one or more thrust-surfaces so arranged that the knife-edges co-operate to first bring the thrust-surfaces into alignment prior to any thrust being transmitted therethrough. (5.) In a machine for inserting a plurality of different fasteners, or protectors, or similar articles into stock, the combination of a double-raceway and devices to shift it, of auxiliary means (for example, the arm 106, toggle 108, and spring-plunger 110) adapted to move the nail-raceway into and keep it in its extreme position whenever it is moved past the central position. (6.) In a machine for inserting a plurality of different fasteners or protectors, or similar articles into stock, the combination with an automatic fastener-changing device controlled by a work-calipering device of an adjustment (for instance, the screw-rod 56) whereby the mechanism that effects the change of fastener may be regulated. (7.) In a machine for inserting a plurality of different fasteners or protectors, or similar articles into stock, the combination of a fastener-changing member (for example, 92), a member to actuate the changing member, each having one or more knife-edges and means embracing a yielding device (such, for example, as 50, 51) actuated by a work-calipering device to bring the knife-edges into co-operative relation. (8.) In a machine for inserting a plurality of different fasteners, or protectors, or similar articles into stock, the combination of a swing frame (for example, 60) with a plunger therein so disposed in relation to a plunger-actuating element (for example, 72) that after the frame has been swung a little to one side or other of its centre position the thrust of said element tends to move the frame to its extreme position and maintain it there. (9.) In a machine for inserting fasteners, protectors, or similar articles into stock, the automatic nail-changing mechanism, substantially as illustrated in the drawings.

(Specification, 11s. 6d.; drawings, 3s.)

No. 22696.—17th April, 1907.—FRANK BOTTRILL, of Tintinara, South Australia, Australia, Engineer. Improvements in vehicle wheels.\*

*Extract from Specification.*—According to my invention the wheel-rim is made with or without central flanging, and with flanging at each side around its circumference. The

rim of any traction-engine (or suitable vehicle or wagon) wheel is alterable to embody this invention. It provides oscillatable bearers, mounted to end upon the wheel-rim in one or a plurality of (preferably two) circumferential series, and arranged between the flanges around the rim.

[NOTE.—The above extract from the specification is inserted in place of the claims.]

(Specification, 4s. 6d. ; drawing, 1s.)

No. 23242.—1st August, 1907.—IGNACY MOSCICKI, of Gambach, near Freiburg, Switzerland, Electrician. Improved electrical apparatus for the production of nitro-oxides.

*Claims.*—(1.) Apparatus for the electrical production of nitro-oxides, having a rotating arc flame in which, for the purpose of obtaining a higher concentration of nitro-oxides without reduction of the exploitation, a cooling of the gases to prevent the decomposition of nitro-oxides is effected or partly effected by their momentary contact with cooled metallic electrodes constructed for the formation of reaction products thereof, and one of which electrodes has educt channels in immediate proximity to the arc flame, substantially as described. (2.) Apparatus as set forth in the preceding claim, in which are cooled metallic electrodes within a strong magnetic field, one of which is set oppositely to the other and intersects said magnetic field perpendicularly, so that the arc flame maintained between said electrodes will rotate over the face of said other electrode while clinging thereto, substantially as described. (3.) Apparatus constructed of the parts or integers for the purposes set forth, substantially as described and explained, and as illustrated in the drawings.

(Specification, 5s. 6d. ; drawing, 1s.)

No. 23463.—14th September, 1907.—WILLIAM PATERSON McINDOE, of Invercargill, New Zealand, Flax-miller. Improved means for use in dressing or truing-up the surfaces of the beaters of flax-strippers.

*Claims.*—(1.) Means for dressing the beater-bars of flax-strippers, the same consisting of a grinding-block secured within a bar, such bar being loosely articulated at one end upon a rod mounted in a frame and being supported at its other end upon a cross-piece adjustably secured to the frame, such frame being adapted to rest upon the stripper so that the grinding-block will engage with the beaters thereof as they rotate beneath it, substantially as specified. (2.) Means for dressing the beater-bars of flax-strippers, the same comprising a frame adapted to rest upon the stripper, a rod extending transversely across one end of the frame, a cross-piece extending across the other end of the frame and carried on springs surrounding vertical bolts passing freely through the cross-piece, a bar loosely articulated at one of its ends upon the rod with its free end resting upon the cross-piece, and a grinding-block fixed within such bar, substantially as specified.

(Specification, 3s. ; drawing, 1s.)

No. 23517.—21st September, 1907.—RANDOLPH MEREDITH KEMP, of Durham Ox, near Pyramid Hill, Gunbower, Victoria, Australia, Farmer. An improved subsoil cultivator for attachment behind ploughs.

*Extract from Specification.*—My special cultivator is capable of a rapid backward and forward adjustment along the plough-frame or an extension therefrom, a quick up and down adjustment, its bottom end is easily inclined backwardly or forwardly, the width of the earth-passage between the prongs can be increased or diminished, and the said earth-passage permits the disturbed earth to pass freely between the said prongs. In a modification, my cultivator is so constructed that it lifts and rises above an obstruction when it meets it, the cultivator prong-points are behind a pivot-pin situated above them, the prong-points are raised or lowered by raising or lowering a weight-lever, the position of which can be adjusted by a catch.

[NOTE.—The above extract from the specification is inserted in place of the claims.]

(Specification, 10s. ; drawing, 1s.)

No. 23518.—21st September, 1907.—FREDERICK GARDNER COTTRELL, Ph.D., of 1512 Hawthorne Terrace, Berkeley, Alameda, California, United States of America, Assistant Professor of Physical Chemistry in the University of California. Manufacture of sulphuric acid.

*Claim.*—The improvement in the manufacture of sulphuric acid by the contact method, which consists in producing in the contact gases, after coming from the contact mass, non-gaseous particles of sulphuric acid representing substantially the whole of the sulphur trioxide formed in said gases by the contact mass by suitably varying the humidity and temperature of said gases, and then in separating and collecting said particles.

(Specification, 3s.)

No. 23527.—27th September, 1907.—GEORGE LESTER BURTON, of Napier, New Zealand, Acetylene Expert. An improved acetylene-generator.

*Claims.*—(1.) In acetylene-generators, the combination with a water-tank and a gas-holder fitting therein of a generating-chamber extending downwards from the top of the holder and the bottom end of which is in communication with the space enclosed by the water-tank while the top end is in connection with the upper end of the holder, and a carbide-holder composed of a cylinder fitting within the generating-chamber and formed with an open space extending throughout its length, and with horizontal trays at intervals in its height and provided with a perforated cover extending over the open space, substantially as and for the purposes specified. (2.) The acetylene-generator, substantially as described and explained, and as illustrated in the drawings.

(Specification, 4s. 3d. ; drawing, 1s.)

No. 23535.—1st October, 1907.—HENRY STEPHENSON, of Edenham, Patangata, Hawke's Bay, New Zealand, Fencer. Improvements in and relating to fencing-standards.

*Claims.*—(1.) The fencing-standard constructed, arranged, and operated substantially as specified and illustrated in the drawing. (2.) A fencing-standard in combination with means for securing it to the ground, said means comprising a wire loop passing through a hole in the standard and receiving a peg, a second peg being arranged transversely across and above said peg, substantially as specified and illustrated.

(Specification, 1s. 9d. ; drawing, 1s.)

No. 23538.—1st October, 1907.—THOMAS FREDERICK MCGARVA, of Christchurch, New Zealand, Carpenter. An improved baby-cradle.

*Claims.*—(1.) The combination with a cradle, supported so as to be free to swing, of spring-actuated mechanism reciprocally actuating the lower end of a pivoted lever, the upper end of which is connected to the cradle, substantially as and for the purpose specified. (2.) In combination, a cradle supported so as to be free to swing, spring-actuated mechanism mounted beneath and rotating a disc wheel, a vertically arranged lever pivoted about midway in its height to a fixed point, and connected at its upper end to the cradle, and a connecting-rod pivoted at one end to the lower end of the lever, and eccentrically connected at the other to the disc wheel of the spring mechanism, substantially as and for the purposes specified. (3.) In means for the purpose indicated, and embodying a rocking-lever reciprocated by spring-actuated mechanism, the use of helical spring connections between the upper end of the rocking-lever and the cradle, substantially as and for the purpose specified. (4.) In means for the purpose indicated, and embodying a pivoted rocking-lever connected to the cradle at its upper end, and to spring-actuated mechanism at its lower end, by means of a connecting-rod eccentrically connected to such mechanism, forming the connecting-rod with a weighted extension beyond its point of connection with the rocking-lever, substantially as and for the purpose specified. (5.) The general arrangement, construction, and combination of parts in my improved baby-cradle, substantially as described and explained, as illustrated in the drawings, and for the several purposes set forth.

(Specification, 4s. ; drawing, 1s.)

No. 23540.—1st October, 1907.—FREDERICK CHARLES WHITE, of Auckland, New Zealand, Ironmoulder. Improvement in kitchen-ranges.

*Claims.*—(1.) In kitchen-ranges, a fireplace-grating hinged at its back end in combination with a pivoted bridle arranged beneath its front end, and adapted when turned to engage beneath and raise the front end of the grating, substantially as and for the purposes specified. (2.) In kitchen-ranges, a fireplace-grating hinged at its back end, lugs on its bottom surface near its front end and formed with downwardly and forwardly inclined surfaces, a bridle pivoted beneath the front end of the grating and engaging beneath the lugs, and means whereby such bridle may be turned on its pivots, substantially as and for the purposes specified. (3.) The general arrangement, construction, and combination of parts in my improvement in kitchen-ranges, substantially as and for the purposes specified.

(Specification, 3s. 3d.; drawing, 1s.)

No. 23549.—30th September, 1907.—GEORGE SAMUEL THOMSON, of Dunedin, New Zealand, Public Accountant. A collapsible trolley-pole for electric vehicles.

*Claims.*—(1.) In ordinary trolley-poles as used for electric vehicles, and in combination with them, a joint kept rigid normally by a sliding catch that is automatically withdrawn if the said pole assumes too upright a position, this withdrawal causing the upper part of the pole to collapse out of the way of any overhead gear, all substantially as set forth, and as illustrated in the drawing. (2.) In trolley-poles used for electric vehicles, in combination, a pole that automatically collapses when by missing the contact with the electric cable it gets too upright, with a fender or guard arranged to receive same as it falls, all substantially as set forth.

(Specification, 2s. 3d.; drawing, 1s.)

No. 23551.—3rd October, 1907.—RICHARD WILLIAM GALLAGHER, of 672½ West Washington Street, Los Angeles, California, United States of America, Electrician. Automatic billing-machine for meters.

*Claims.*—(1.) In an apparatus of the character described, the combination of meter mechanism having a shaft, a meter case, a bill-delivery mechanism having a shaft, a mechanism case, a detachable union for said shafts, and means for supporting the mechanism case upon the meter case, substantially as described. (2.) In an apparatus of the character described, the combination of a meter case, a mechanism frame, a casing therefor, means for supporting said casing upon said case, said main frame comprising a suitable guide, a carrier adapted to move along said guide, means for marking bills supported on said carrier, the casing of said mechanism having a movable front door or cover, and means automatically operated by the opening of said door to cause said carrier to reciprocate to mark said bills, substantially as described. (3.) In an apparatus of the character described, the combination of meter mechanism, recording wheels, a connection between said wheels and mechanism, resetting wheels for resetting the recording wheels, means for moving said recording wheels to make a record, and means automatically operated in the movement of said recording wheels to break said connection and connect said recording and resetting wheels, substantially as described. (4.) In an apparatus of the character described, the combination of meter mechanism amount-recording wheels, cost-recording wheels, mechanism for intermittently advancing said amount-recording wheels from the continuously moving meter mechanism, and means for intermittently advancing the cost-recording wheels from the continuously moving meter mechanism, substantially as described. (5.) In an apparatus of the character described, the combination of meter mechanism, a series of cost-recording wheels, the first recording wheel of the series being provided with means for marking the cents of the cost, and the second wheel for advancing the second wheel from the first intermittently but a plurality of times during one complete revolution of the first wheel, substantially as described. (6.) In an apparatus of the character described, the combination of meter mechanism, a series of cost-recording wheels, the first recording wheel of the series being provided with means for marking the cents of the cost, and the second

wheel with means for marking the dollars of the cost, and means for advancing the second wheel from the first intermittently but a plurality of times during one complete revolution of the first wheel, the second wheel having the dollars-marking devices repeated in successive divisions corresponding to the position of advance of said latter wheel, substantially as described.

(Specification, £1; drawings, 7s.)

No. 23553.—3rd October, 1907.—The BUTLIN GEAR, LIMITED, a registered company of the State of New South Wales, Australia, having its office at Sydney, in said State (assignees of George Louis Butlin, of Cullinga, Montgomery Street, Kogarah, near Sydney, New South Wales, Australia, Mechanical Draughtsman). Improvements in power-transmission gearing.

*Claims.*—(1.) In power-transmission gearing having concentric driving and driven parts, the engaging devices, consisting of diametrically moving drive-keys adapted to home or socket in the outer part to engage such parts, and to be withdrawn therefrom to disengage the same, substantially as described and explained. (2.) In power-transmission gearing having concentric driving and driven parts, the engaging devices, consisting of diametrically moving drive-keys adapted to home or socket in the outer such part, and to be actuated by springs and by longitudinal sliding-bars having inclines or hollows on one face, substantially as described and explained. (3.) In power-transmission gearing having concentric driving and driven parts, the engaging devices, consisting of diametrically moving drive-keys adapted to home or socket in the outer such part, and to be actuated by longitudinal bars having inclines or hollows on one face and inclines or ramps on the opposite face, substantially as described and explained. (4.) In power-transmission gearing of the class set forth, the combination with a driven shaft such as 21, having boss such as 22 and a driver-ring such as 23 on such boss such as 22, of the homings or sockets such as 27, drive-keys such as 28 in slots such as 29, extension-spring such as 30, and sliding-bars such as 31 in slots or passages such as 26, and having inclines or hollows such as 32, substantially as described and explained, and as illustrated in the drawings. (5.) In power-transmission gearing of the class set forth, the combination with a driven shaft such as 21, having a boss such as 22 and a driver-ring such as 23 on such boss such as 22, of homings or sockets such as 27, drive-keys such as 28 in slots such as 29, and sliding-bars such as 31 in slots or passages such as 26, and having inclines or hollows such as 32 and inclines or ramps such as 33, substantially as described and explained. (6.) The combination and arrangement of mechanical parts or integers for the purposes set forth, all together constituting the improved power-transmission gearing, substantially as described and explained, and as illustrated in Figs. 1 to 9 of the drawings. (7.) The combination and arrangement of mechanical parts or integers for the purposes set forth, all together constituting the improved power-transmission gearing, substantially as described and explained, and as illustrated in Figs. 10 to 15 of the drawings.

(Specification, 6s.; drawing, 3s.)

No. 23554.—3rd October, 1907.—TRESS AND COMPANY, of 3, 5, and 7 Stamford Street, Southwark, London, England, Hat Manufacturers (assignees of Francis Wright, of Dudley Street, Luton, Bedford, England, Manufacturer, and Arthur David Childs, of Downs Lane, Leatherhead, Surrey, England, Warehouseman). Improvements in the manufacture of straw and other hats.

*Claims.*—(1.) A hat in which the lower portion of the crown and the brim are untreated with the ordinary stiffening solution, and provided with stiffening appliances for enabling it to conform to the shape or contour of the head, substantially as described. (2.) A hat having the brim and the adjacent part of the crown provided with resilient stiffening pieces or wires adapted to fit the angle formed by the crown portion and the brim, substantially as described, for the purposes specified. (3.) A hat having its parts constructed and arranged substantially as described with reference to the drawings, for the purposes specified.

(Specification, 4s. 3d.; drawing, 1s.)

No. 23556.—2nd October, 1907.—LOUIS ALFRED HUME LONGUET, of Epsom, Auckland, New Zealand, Produce Broker. An improved trousers-stretcher.

*Claims.*—(1.) The improved trousers-stretcher, consisting in combination of two sets of cross double bars movably connected at one of ends of each set adapted to be connected at opposite ends and held so connected by nut attachments, a box centrally mounted on outer surface of upper bar of shorter set of cross double bars, and an open angular piece mounted centrally on outer surface of upper bar of longer set of cross double bars, said open angular piece having rib or ribs projected downwardly from its inside top adapted to engage ratchet mounted on longitudinal single bar when said longitudinal single bar is adjusted to said box and said open angular piece, in the manner and for the purpose set forth, as described and illustrated. (2.) In the improved trousers-stretcher specified covered by claim 1, the longitudinal single bar having ratchet mounted thereon adapted to engage rib or ribs projected downwardly from inside top of open angular piece on longer upper bar when said longitudinal single bar is adjusted to box on shorter upper bar and to said open angular piece in the manner and for the purpose set forth, as described and illustrated.

(Specification, 3s. 6d.; drawing, 1s.)

No. 23561.—5th October, 1907.—WILLIAM CURTIS, of Vincent Road, Remuera, Auckland, New Zealand, Agent. An improved curtain-pole lifter.

*Claims.*—(1.) A device for the purpose indicated, consisting of the parts combined, arranged, and operating substantially as specified and illustrated in the drawing. (2.) A curtain-pole lifter, comprising a cross-piece with brackets, one at each end, and a socket to receive a handle, substantially as specified and illustrated.

(Specification, 1s. 3d.; drawing, 1s.)

No. 23566.—8th October, 1907.—WILLIAM ARTHUR COOKE, of Christchurch, New Zealand, Chemist. An improved remedy for sea-sickness or the like.

*Claim.*—The improved remedy for sea-sickness or the like, consisting of a composition of sulphate of atropine, sulphate of strychnine, rectified spirit and liquid red, mixed together with a little water in the approximate proportions set forth.

(Specification, 1s.)

No. 23622.—10th April, 1907.—THOMAS DICK CUMMINS, of Wanganui, New Zealand, Merchant. Improved apparatus for use in ascertaining the temperature of baled goods.

*Claims.*—(1.) In means for use in ascertaining the temperature of baled goods, and embodying the use of a pointed hollow tube adapted to be driven into the bale and having a solid point, a bar adapted to be passed down into the tube so as to rest upon the solid point and to project beyond the open top end of the tube, substantially as and for the purposes specified. (2.) In means for use in ascertaining the temperature of baled goods, in which a pointed hollow tube having a collar on its upper end is adapted to be driven into the bale, means for withdrawing the tube from the bale comprising a screwed rod threaded longitudinally through a frame and having grips upon its bottom end adapted to engage beneath the collar on the tube, and having a handle on its upper end, substantially as specified.

(Specification, 2s. 6d.; drawing, 1s.)

An asterisk (\*) denotes the complete specification of an invention for which a provisional specification has been already lodged.

NOTE.—The cost of copying the specification and drawing has been inserted after the notice of each application. An order for a copy or copies should be accompanied by a post-office order or postal note for the cost of copying.

The date of acceptance of each application is given after the number.

Extracts from the drawings accompanying the foregoing complete specifications appear at the end of this *Gazette*.

J. C. LEWIS,  
Registrar.

*Provisional Specifications accepted.*

Patent Office,  
Wellington, 13th November, 1907.

APPLICATIONS for Letters Patent, with provisional specifications, have been accepted as under:—

- No. 23485.—G. Beaumont, belt-dressing.  
No. 23486.—F. J. T. Brown, grate-damper.  
No. 23519.—T. S. Royds, milk-bucket holder.  
No. 23520.—R. Millis, preparing fibre from *phormium tenax*.  
No. 23558.—A. M. Webster, pulley.  
No. 23569.—J. D. McLaurin, baled-goods indicator.  
No. 23596.—W. H. Boyens, spouting-bracket.  
No. 23600.—A. McMaster, lifting-jack.  
No. 23609.—A. P. Gairdner, extracting antimony, &c. (J. Storer.)  
No. 23611.—A. H. Darcey, shoe.  
No. 23612.—T. Morris, spring catch for vehicle-wheel.  
No. 23614.—J. R. Mallyon, music-leaf turner.  
No. 23619.—F. Davies, knife-cleaner.  
No. 23620.—E. C. Carter, venetian-blind.  
No. 23621.—J. T. Hunter, dress-chart. (I. Charles.)  
No. 23628.—A. Lyell, bottle-stopper.  
No. 23629.—E. O. McGuire and J. Swindale, bread-cutter.  
No. 23663.—J. E. Watts, last.

NOTE.—Provisional specifications cannot be inspected, or their contents made known by this office in any way, until the complete specifications in connection therewith have been accepted.

*Letters Patent sealed.*

LIST of Letters Patent sealed from the 25th September to the 13th November, 1907.

- No. 21149.—J. Wilson, upholstering furniture.  
No. 21176.—J. Dawson, bridge-construction.  
No. 21226.—J. Austin, toaster and griller.  
No. 21297.—L. G. Wieneke, horse-race starter.  
No. 21318.—J. Irvine, wire-fastener.  
No. 21336.—A. J. Edwards, trolley-pole.  
No. 21339.—L. Friedenreich, yeast-making.  
No. 21357.—J. Sutcliffe, forced-draught apparatus.  
No. 21368.—H. Watt, mail-bag fastener.  
No. 21412.—P. J. Brown, water-pipe valve.  
No. 21428.—United Shoe Machinery Company, supporting and positioning work in boot-machine. (E. E. Winkley.)  
No. 21432.—J. A. Paterson, incandescent oil-gas.  
No. 21455.—J. A. Merrett, flax-treatment.  
No. 21456.—J. A. Merrett, handling flax-fibres.  
No. 21474.—T. J. Whelan, rabbit-trap. (H. Lane.)  
No. 21504.—E. Le Roy, horse-cover attachment.  
No. 21505.—E. Le Roy, horse-cover.  
No. 21506.—W. H. Pearson, shot-machinery.  
No. 21514.—United Shoe Machinery Company, cementing-machine. (F. H. Warren.)  
No. 21518.—J. T. Clark, nut-lock.  
No. 21542.—C. R. Massey, concrete pile-frame.  
No. 21562.—J. N. Caught, kerosene-tap.  
No. 21581.—R. M. Crosbie, grinding flax-beater roller.  
No. 21592.—P. E. G. Cumberland, preventing corrosion of metals.  
No. 21608.—J. P. Horner, shaft-tug.  
No. 21612.—J. J. Smith, road-sweeper.  
No. 21616.—A. Kale and C. Gilfillan, window-curtain hanger.  
No. 21626.—F. A. Lakin, securing fencing-wire to standard.  
No. 21640.—W. H. Hammond, water-tube steam boiler.  
No. 21681.—G. Turner, tomato-forcing house.  
No. 21702.—J. A. Steele, apron of harvester-binder.  
No. 21749.—F. A. Pim and W. H. Blakeley, force-pump.  
No. 21807.—A. Just, F. Hanaman, Vereinigte Glühlampen and Electricitäts-Aktien-Gesellschaft, and I. Salzmänn, incandescing filaments.  
No. 21819.—J. D. Smith and J. J. Scott, railway-truck door.  
No. 21909.—A. Whitney, target.  
No. 22061.—E. B. Killen, tire.  
No. 22153.—A. W. Omond and W. M. Johnson, siphon.  
No. 22165.—Lamson Store Service Company, Limited, parcel-carrier. (E. C. Phillips.)  
No. 22250.—J. S. Heithersay, perpetual calendar.  
No. 22295.—T. W. McDonald, can-soldering machine.  
No. 22306.—T. W. Coulthard, fencing-dropper.  
No. 22334.—T. Whitehorn, packing bags.  
No. 22354.—J. Aivaz, punching-press table. (J. Aivaz and T. Poljakoff-Kowtunoff.)  
No. 22416.—W. Wilkins and J. Nobbs, furnace.  
No. 22427.—W. A. Merralls, cyaniding.  
No. 22450.—A. J. Bergin, motor-cycle belt.



- No. 22452.—T. W. Macintosh, sheet-metal lathing.  
 No. 22456.—Checkogram, Limited, ticket-issuing. (J. J. Stockall.)  
 No. 22503.—M. F. Mieville, carburetted-air production.  
 No. 22504.—A. C. Baronio, electric telegraphy. (A. Muirhead.)  
 No. 22505.—G. Rischmuller, turbine.  
 No. 22507.—F. W. Suter and C. Wayman, safety-lamp.  
 No. 22518.—The Imperial Writing-machine Company, Limited, typewriter. (C. W. and G. W. Davis and W. P. Kidder.)  
 No. 22545.—F. R. Beuhne, rendering beeswax.  
 No. 22567.—W. E. Hughes, stereotype-finisher, &c. (Printing Machinery Company, Limited—H. A. W. Wood.)  
 No. 22569.—Linotype and Machinery, Limited, printing-machine. (T. R. G. Parker.)  
 No. 22577.—A. A. Walters, elevator-door.  
 No. 22579.—The Kendrick and Hill Manufacturing Company, lawn-mower. (A. Hill.)  
 No. 22665.—W. Dunz, stone-wood flooring.  
 No. 22697.—F. G. McIntosh, decanting jam. (F. G. McIntosh and H. V. Hampton.)  
 No. 22698.—W. H. Nisbet, railway-brake.  
 No. 22730.—J. Toutcher and C. J. Hicks, lawn-spray. (A. E. Strickland.)  
 No. 22737.—Aktiebolaget Baltic Separator, butter-manufacture. (J. V. M. Risberg.)  
 No. 22751.—C. H. O'Brien, acetylene-gas purifier.  
 No. 22752.—C. H. O'Brien, acetylene-gas purifier.  
 No. 22753.—C. H. O'Brien, water-feed for acetylene generator.  
 No. 22781.—A. Manvers and H. Phillips, vacuum-creating, &c.  
 No. 22786.—W. H. Mounsey, linotype-matrix cleaner.  
 No. 22787.—W. H. Mounsey, linotype knife-block and knife.  
 No. 22798.—W. J. Parker, corset-attachment.  
 No. 22803.—N. W. Frogley, window sash and fastening.  
 No. 22810.—Mono Service Vessels, Limited, paper vessel for milk, &c. (E. Z. Taylor.)  
 No. 22824.—E. N. Waters, wireless transmission of sonorous vibrations. (McCarty Wireless Telephone Company. (F. J. McCarty.)  
 No. 22828.—D. McKenzie, ottoman bed-couch.  
 No. 22842.—P. Rabbidge, electrotape.  
 No. 22878.—F. L. Fortescue, tire-ends connector.  
 No. 22883.—J. P. Lynn, electric-magnetic stamp-battery.  
 No. 22895.—R. A. Fessenden, electric signalling.  
 No. 22911.—L. T. Chambers and W. E. Thompson, fence-making machine. (C. J. Lane and R. J. Crane.)  
 No. 22922.—W. Foord, milk and cream cooler.  
 No. 22923.—Massey-Harris Company, Limited, conveyor for harvester-binder. (C. McLeod and R. H. Verity.)  
 No. 22925.—T. Poljakoff-Kowtuoff, excavator.  
 No. 22931.—R. K. Donald, cradle-crusher.  
 No. 22932.—Q. Marino and E. W. Barton-Wright, consolidating the active material for electric accumulators.  
 No. 22949.—A. E. Davis, R. Meyer, F. H. Medhurst, and J. E. Ferrar, transporting-apparatus for mines.  
 No. 22958.—J. G. Maardt, beer-wort manufacture.  
 No. 22959.—Q. Marino and E. W. Barton-Wright, electric accumulator.  
 No. 22966.—R. Glendinning and G. Beaumont, loom.  
 No. 22976.—R. J. Coomber, flaying-knife. (J. Coomber.)  
 No. 22985.—W. H. Lawrence and R. Kennedy, suction milking-machine.  
 No. 23009.—A. J. Fippard, hydraulic clutch.  
 No. 23024.—N. S. McNab and J. S. Link, time-recording register.  
 No. 23026.—F. J. Cox, gas-production.  
 No. 23032.—W. O. Webber, tide-actuated air-compressor.  
 No. 23080.—Saxton and Binns, Limited, wooden house construction. (J. O. Morgan.)  
 No. 23108.—T. L. Smith, rotary mixing-machine.  
 No. 23109.—T. L. Smith, mortar- and concrete-mixing machine.

*Letters Patent on which Fees have been paid.*

[NOTE.—The dates are those of the payments.]

SECOND-TERM FEES.

- NO. 17182.—R. O. Clarke, jun., shaping earthenware pipes, &c. 7th October, 1907.  
 No. 17187.—G. I. Atkins, electrolytic apparatus. 29th October, 1907.  
 No. 17193.—Lamson Store Service Company, pneumatic tube despatch system. (C. F. R. Estienne.) 31st October, 1907.

- No. 17194.—Lamson Store Service Company, machine for bending tubes. (E. L. Giles.) 31st October, 1907.  
 No. 17195.—Lamson Store Service Company, pneumatic tube despatch system. (E. L. Giles.) 31st October, 1907.  
 No. 17211.—Andrews and Beaven, Limited, threshing-machines. (W. Andrews and A. W. Bevan.) 5th November, 1907.  
 No. 17217.—A. M. Bauckham, window-sashes. 9th November, 1907.  
 No. 17230.—W. S. Rice, truss. 9th November, 1907.  
 No. 17240.—E. W. Lancaster, bath. 6th November, 1907.  
 No. 17269.—Lamson Store Service Company, pneumatic despatch carriers. (H. Burl.) 31st October, 1907.  
 No. 17314.—M. Pedersen, cream-separator. 30th October, 1907.  
 No. 17437.—Soda Stream, Limited, and W. Hucks, apparatus for aerating liquids. 31st October, 1907.

THIRD-TERM FEES.

- No. 13143.—J. Woodhead, cramp. 30th October, 1907.  
 No. 13213.—Marconi's Wireless Telegraph Company, Limited, apparatus for wireless telegraphy. (G. Marconi.) 31st October, 1907.  
 No. 13298.—British Westinghouse Electric and Manufacturing Company, Limited, electric railways. (J. T. Hunter, F. C. Newell, and E. M. Herr.) 30th October, 1907.  
 No. 13454.—E. R. Hill, electro-pneumatic controlling systems. 30th October, 1907.

*Subsequent Proprietors of Letters Patent registered.*

[NOTE.—The name of the patentee is given in brackets. The date is that of registration.]

- NO. 19317.—Charles Henry Woodhead, of Auckland, in the Dominion of New Zealand, Signmaker. Advertisement displaying apparatus. (C. N. Brown-Parker—H. W. Chinnery.) 5th November, 1907.  
 No. 21411.—James Angus Munro, carrying on business under the style of Jas. A. Munro and Co., at Nos. 374 to 384 Latrobe Street, Melbourne, in the State of Victoria, Commonwealth of Australia, Importers, Manufacturers' Agents, and Indentors. Lever-jack stump puller and cramp. (J. Brown.) 7th November, 1907.

*Applications for Letters Patent abandoned.*

LIST of applications, with which provisional specifications only have been filed, abandoned (i.e., complete specifications not lodged) from the 31st October to the 13th November, 1907, inclusive:—

- No. 22260.—J. Taucher, clothes-peg.  
 No. 22261.—The Malcolm Fraser Wheel Syndicate, Limited, spring tire. (A. R. Hubbard.)  
 No. 22265.—A. Le Blanc, rabbit-fumigator.  
 No. 22270.—F. H. Frankland, gas-burner.  
 No. 22277.—J. D. Jackson, water-heater.  
 No. 22278.—E. Brand, kerosene-pump, &c.  
 No. 22287.—G. Hutchinson, fencing-standard.  
 No. 22289.—D. Murchison, seed-sower.  
 No. 22290.—F. Sheaf, swath-turner.  
 No. 22291.—A. H. Byron and R. R. Richmond, pipe-joint.  
 No. 22293.—C. E. Woledge, teapot and kettle.  
 No. 22299.—C. J. Johnson, trolley-pole.  
 No. 22301.—W. Stone, tent-peg.  
 No. 22305.—F. Parker and B. T. Higgins, scaffolding-bracket.  
 No. 22308.—D. Dickie and D. C. McMath, skim-coulter.

*Applications for Letters Patent void.*

APPLICATIONS for Letters Patent, with which complete specifications have been lodged, void owing to non-acceptance of such complete specifications from the 31st October to the 13th November, 1907, inclusive:—

- No. 21586.—T. Firth, tram-destination indicator.  
 No. 21595.—W. H. Bonney, bullock-bow key.  
 No. 21599.—D. McKenzie, ottoman bed and couch.  
 No. 21609.—F. J. Johns, range-attachment.  
 No. 21624.—O. Paora, draining, subsoiling, and road-forming machine.



*Applications for Letters Patent lapsed.*

**A** PPLICATIONS for Letters Patent lapsed, owing to Letters Patent not being sealed, from the 31st October to the 13th November, 1907, inclusive:—

- No. 21092.—J. B. Barker, cream-can.
- No. 21104.—F. Burke and H. L. Mainland, range.
- No. 21124.—T. Greenall, tire-heater.
- No. 21133.—J. Anderson and J. D. Hunter, cheese-press.
- No. 21137.—F. A. Tregelles, ferro-concrete.
- No. 21138.—J. C. Chisholm and A. W. Norton, cutter for plastic material.
- No. 21148.—J. Barden, bird-trap.

*Letters Patent void.*

**L** IST of Letters Patent void through non-payment of renewal fees, and through expiry of term of fourteen years, from the 31st October to the 13th November, 1907, inclusive:—

THROUGH NON-PAYMENT OF SECOND-TERM FEES.

- No. 16719.—W. E. Hughes, friction gearing. (Nurnberger Motor-Fahrzeng-Fabrik "Union" G.m.b.h.—L. Maurer.)
- No. 16720.—W. E. Hughes, friction-gearing. (Nurnberger Motor-Fahrzeng-Fabrik "Union" G.m.b.h.—L. Maurer.)
- No. 16736.—W. Seavill, castor.
- No. 16737.—W. H. Edwards, cool-storage safe.
- No. 16739.—A. Harvey, centrifugal liquid-separator. (D. H. Burrell—M. L. Hoyt.)
- No. 16743.—E. F. W. Wieda, machine for mixing.
- No. 16747.—J. L. Rosenschein, lockstitch sewing-machine. (H. Manning.)
- No. 16751.—F. Bunyan, food product. (C. W. Neilsen—F. Bunyan.)
- No. 16753.—J. Channon, seal-locks. (J. J. Russell.)
- No. 16754.—J. Benson, combined collar and harness.
- No. 16755.—H. E. Boyes, W. J. Moffatt, A. I. Manoy, L. E. Rhodes, and E. F. Johansen, cooking-appliance. (R. James.)
- No. 16784.—E. M. G. Coleman, automatic match-lighter.
- No. 16793.—J. C. Henderson, W. J. Anderson, E. S. Burman, operating cheese-presser plates.
- No. 16795.—G. W. Brown and G. M. Norton, furnace-fire bridges.
- No. 16799.—C. H. Lowe, lever for horse-shoeing.
- No. 16804.—T. G. Rennerfelt, centrifugal liquid-separator.

THROUGH NON-PAYMENT OF THIRD-TERM FEES.

- No. 12893.—W. L. Voelker, electric-lamp filaments.
- No. 12896.—W. Kingsland, electric-switch regulator.
- No. 12844.—W. L. Scott and G. Bowron, flour-manufacture. (C. L. Wheeler.)
- No. 12863.—A. E. Hight, watercourse cleaner.

THROUGH EXPIRY OF TERM.

- No. 6520.—A. R. Morrison, W. A. Busst, R. Bills, W. Bills, and H. Bills (trading as Busst and Bills Bros.), wire-coiler and weaver. (M. B. Lloyd.)
- No. 6531.—The Acme Batten Syndicate and John Mitchell, fixing corrugated iron.
- No. 6538.—The English De Laval Steam Turbine Company, Limited, turbine-wheel. (C. G. P. de Laval.)

*Design registered.*

**A** DESIGN has been registered in the following name on the date mentioned:—

- No. 352.—Charles M. Brooke and Sons, of Christchurch, in the Dominion of New Zealand, and of Melbourne, in the State of Victoria, Commonwealth of Australia. (Class 4.) 1st November, 1907.

B

*Applications for Registration of Trade Marks.*

Patent Office,  
Wellington, 13th November, 1907.

**A** PPLICATIONS for registration of the following Trade Marks have been received. Notice of opposition to the registration of any of these applications may be lodged at this office within two months of the date of this *Gazette*. Such notice must be in duplicate, and accompanied by a fee of £1.

No. of application : 5933.  
Date : 8th May, 1906.

TRADE MARK.



The essential particulars of the trade mark are the distinctive devices, one of which is the device of a standard; and applicant firm disclaims any right to the exclusive use of the added matter, except its name.

NAME.

The firm trading as "STANDARD VARNISH WORKS," having its head office at 29 Broadway, New York City, United States of America, Manufacturers.

No. of class : 1.

Description of goods : Varnishes, driers, lacquers, enamels, fillers, and like goods.

NOTE.—This mark is regazetted on account of some of the words it contains being inadvertently cut out of the former block.

No. of application : 6794.  
Date : 10th July, 1907.

TRADE MARK.



## NAME.

CAMMELL, LAIRD, AND Co., LIMITED, of Cyclops Works, Sheffield, England, Manufacturers.

No. of class: 6.

Description of goods: Machinery and parts thereof, including machine-knives, machine-tools, twist-drills, milling and other cutters, shear-blades, and similar goods included in this class and not included in other classes, but excluding grinding, mixing, sifting, feeding, and other similar machinery included in this class.

No. of application: 6966.

Date: 1st November, 1907.

## TRADE MARK.



The essential particular of this trade mark is the device and the word "Springbok"; and any right to the exclusive use of the added matter is disclaimed.

## NAME.

HAL GOODACRE, of New Plymouth, in the Dominion of New Zealand, Boot-manufacturer.

No. of class: 38.

Description of goods: Boots, shoes, and slippers.

No. of application: 6980.

Date: 24th October, 1907.

## TRADE MARK.



The essential particular of this trade mark is the word "Fragra"; and any right to the exclusive use of the added matter is disclaimed.

## NAME.

ALFRED ARMER CARSON, of Church Street, Palmerston North, in the Dominion of New Zealand.

No. of class: 42.

Description of goods: Tea.

No. of application: 6982.

Date: 25th October, 1907.

## TRADE MARK.

The word

"SHOE-ETTE."

## NAME.

SYDNEY SMITH, of Christchurch, in the Provincial District of Canterbury, Dominion of New Zealand, Boot-manufacturer.

No. of class: 38.

Description of goods: Sandals and the like footwear.

No. of application: 6983.

Date: 26th October, 1907.

## TRADE MARK.

The words

"PRINCESS BRADLEY."

The essential particular of this trade mark is the word "Princess"; and any right to the exclusive use of the added matter is disclaimed.

## NAME.

RICHARD SORENSON, of Karamu Road, Hastings, Hawke's Bay, in the Dominion of New Zealand, Coachbuilder, &c.

No. of class: 22.

Description of goods: Gigs.

No. of application: 6984.

Date: 28th October, 1907.

## TRADE MARK.

The word

"NOVO."

## NAME.

JONAS AND COLVER, LIMITED, of Continental Steelworks and Novo Steelworks, Sheffield, England, Manufacturers.

No. of class: 5.

Description of goods: Iron and steel.

No. of application: 6985.

Date: 28th October, 1907.

## TRADE MARK.

The word

"NOVO."

## NAME.

JONAS AND COLVER, LIMITED, of Continental Steelworks and Novo Steelworks, Sheffield, England, Manufacturers.

No. of class: 6.

Description of goods: Machinery of all kinds and parts thereof, including machine-knives, machine-tools, twist-drills, milling and other cutters, and similar goods included in this class and not included in other classes.

No. of application: 6986.  
Date: 28th October, 1907.

TRADE MARK.  
The word  
"NOVO."

NAME.  
JONAS AND COLVER, LIMITED, of Continental Steelworks and Novo Steelworks, Sheffield, England, Manufacturers.

No. of class: 12.  
Description of goods: Cutlery and edge tools, including files and saws.

No. of application: 6987.  
Date: 28th October, 1907.

TRADE MARK.  
The word  
"NOVO."

NAME.  
JONAS AND COLVER, LIMITED, of Continental Steelworks and Novo Steelworks, Sheffield, England, Manufacturers.

No. of class: 13.  
Description of goods: Metal goods of iron and steel not included in other classes.

No. of application: 6988.  
Date: 28th October, 1907.

TRADE MARK



NAME.  
JONAS AND COLVER, LIMITED, of Continental Steelwork and Novo Steelworks, Sheffield, England, Manufacturers.

No. of class: 5.  
Description of goods: Iron and steel.

No. of application: 6989.  
Date: 28th October, 1907.

TRADE MARK.

(The mark as shown in preceding notice, No. 6988.)

NAME.  
JONAS AND COLVER, LIMITED, of Continental Steelworks and Novo Steelworks, Sheffield, England, Manufacturers.

No. of class: 6.  
Description of goods: Machinery of all kinds and parts thereof, including machine-knives, machine-tools, twist-drills, milling and other cutters, and similar goods included in this class and not included in other classes.

No. of application: 6990.  
Date: 28th October, 1907.

TRADE MARK.

(The mark as shown in preceding notice No. 6988.)

NAME.

JONAS AND COLVER, LIMITED, of Continental Steelworks and Novo Steelworks, Sheffield, England, Manufacturers.

No. of class: 12.  
Description of goods: Cutlery and edge tools, including files and saws.

No. of application: 6991.  
Date: 28th October, 1907.

TRADE MARK.

(The mark as shown in preceding notice No. 6988.)

NAME.

JONAS AND COLVER, LIMITED, of Continental Steelworks and Novo Steelworks, Sheffield, England, Manufacturers.

No. of class: 13.  
Description of goods: Metal goods of iron and steel not included in other classes.

No. of application: 6994.  
Date: 29th October, 1907.

TRADE MARK.

The word  
"LUNAWATTE."

NAME.

ELLIS AND MANTON, of Stout Street, Wellington, in the Dominion of New Zealand, Merchants and Agents.

No. of class: 42.  
Description of goods: Tea.

No. of application: 6995.  
Date: 30th October, 1907.

TRADE MARK.

The word  
"WINCARNIS."

NAME.

COLEMAN AND Co., LIMITED, of Wincarnis Works, Lower Westwick Street, Norwich, England, Manufacturing Chemists and Wine Merchants.

No. of class: 3.

Description of goods: A food used for medicinal purposes for human use.

No. of application: 6996.

Date: 30th October, 1907.

TRADE MARK.

The word

“WINCARNIS.”

NAME

COLEMAN AND Co., LIMITED, of Wincarnis Works, Lower Westwick Street, Norwich, England, Manufacturing Chemists and Wine Merchants.

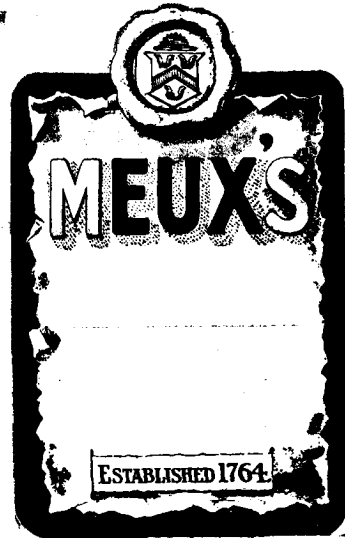
No. of class: 43.

Description of goods: An alcoholic beverage, being a combination of Liebig's extract of meat and a preparation of malt and wine.

No. of application: 6997.

Date: 30th October, 1907.

TRADE MARK.



THIS LABEL IS ISSUED ONLY BY MEUX'S BREWERY COMPANY LIMITED

The essential particulars of the trade mark are the combination of devices; and applicants disclaim any right to the exclusive use of the added matter, except their name.

NAME.

MEUX'S BREWERY COMPANY, LIMITED, of 268 Tottenham Court Road, London, England, Brewers.

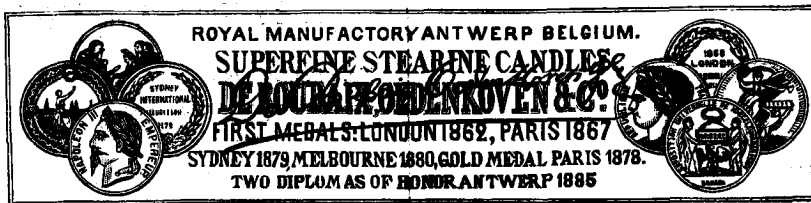
No. of class: 43.

Description of goods: Fermented liquors and spirits

No. of application: 6998.

Date: 30th October, 1907.

TRADE MARK.



The applicants claim that the above trade mark has been used by them and their predecessors in business in respect of the said goods within New Zealand for upwards of two years before the 1st January, 1890.

NAME.

DE ROUBAIX OEDENKOVEN AND Co., of Royal Candle Manufactory, Rue des Seigneurs, Borgerhout, Antwerp, Belgium, Manufacturers.

No. of class: 47.

Description of goods: Candles.

No. of application : 6999.  
Date : 30th October, 1907.

TRADE MARK.



The essential particulars of the trade mark are the device and the word "Eureka"; and applicants disclaim any right to the exclusive use of the added matter, except their name and address.

NAME.

DE ROUBAIX OEDENKOVEN AND Co., of Royal Candle Manu-  
factory, Rue des Seigneurs, Borgerhout, Antwerp, Belgium,  
Manufacturers.

No. of class : 47.  
Description of goods : Candles.

No. of application : 7000.  
Date : 30th October, 1907.

TRADE MARK.

The word

**CORNCRAKE**

NAME.

JAMESON AND Co., LIMITED, of Canning Street Mills,  
Canning Street, in the City and County of Kingston-upon-  
Hull, England, Flax and Hemp Spinners.

No. of class : 50.  
Description of goods : Binder-twine for agricultural pur-  
poses.

No. of application : 7001.  
Date : 30th October, 1907.

TRADE MARK

*Half King of Scotland*  
Specified in No. 7.

*"Throgmorton."*



*Matured Scotch Whisky.*

*J. Lyons & Co. Limited, 11, Cadby Hall, Kensington, London, W.* *Printed in Scotland, Perth.*

The essential particulars of the trade mark are the follow-  
ing—the device, the word "Throgmorton," the words "Gold  
Crest"; and applicants disclaim any right to the exclusive  
use of the added matter, except in so far as it consists of  
their name and addresses.

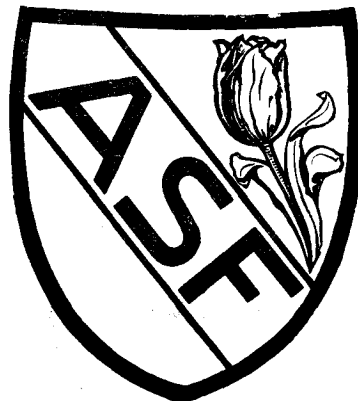
NAME.

J. LYONS AND Co., LIMITED, of Cadby Hall, Kensington,  
London, England, Merchants, Purveyors, and Refreshment-  
contractors.

No. of class : 43.  
Description of goods : Whisky.

No. of application : 7002.  
Date : 30th October, 1907.

TRADE MARK.



NAME.

NAAMLOOZE VENNOOTSCHAP AMSTERDAMSCHER SUPERFOSFAAT-  
FABRIEK, of Amsterdam, Keizersgracht 473, Kingdom of the  
Netherlands, Manufacturers of and Dealers in Artificial  
Manure.

No. of class : 2.  
Description of goods : Artificial manure.

No. of application : 7003.  
Date : 30th October, 1907.

TRADE MARK.



The essential particular of this trade mark is the design;  
and any right to the exclusive use of the words "For Value"  
is disclaimed.

NAME.

GRAHAM, WILSON, AND SMELLIE, of 160, 162, and 164 High  
Street, Christchurch, in the Provincial District of Canter-  
bury, in the Dominion of New Zealand, Drapers.

No. of class : 38.  
Description of goods : All goods in this class, excepting  
boots and shoes.

NOTE.—Class 38 is for "Articles of clothing, such as hats of all  
kinds, caps and bonnets, hosiery, gloves, boots and shoes, and other  
ready-made clothing."

No. of application : 7011.  
Date : 5th November, 1907.

TRADE MARK.  
The word  
"CLUB."

NAME.  
SAMUEL SIGALL, of 1A Manners Street, Wellington, in the Dominion of New Zealand.

No. of class : 45.  
Description of goods : Cigarettes, cigars, and tobacco.

No. of application : 7018.  
Date : 7th November, 1907.



The applicant claims that the said trade mark has been used by him and his predecessors in respect of the articles mentioned since 1865 (forty-two years).

NAME.  
WILLIAM ELLIS JOHNSON, trading as "W. E. Johnson and Co.," of 67-69 Leeds Street, Liverpool, England.

No. of class : 43.  
Description of goods : Fermented liquors and spirits, but not including wines.

No. of application : 7014.  
Date : 7th November, 1907.

TRADE MARK.  
The words  
"WINVIS BRAND"

The essential particular of the trade mark is the following—the word "Winvis"; and any right to the exclusive use of the added matter is disclaimed.

NAME.  
THE WINTERBOTTOM BOOK CLOTH COMPANY, LIMITED, of 12 Newton Street, Piccadilly, Manchester, in the County of Lancaster, England, Manufacturers.

No. of class : 39.  
Description of goods : Cloth specially manufactured for bookbinders' use.

J. C. LEWIS,  
Registrar.

*Trade Marks registered.*

LIST of Trade Marks registered from the 1st to the 13th November, 1907, inclusive :—  
No. 5387/6871.—Maling and Co., Limited. Class 3. (*Gazette* No. 75, of the 22nd August, 1907.)  
No. 5388/6584.—W. H. Potter. Class 38. (*Gazette* No. 44, of the 16th May, 1907.)  
No. 5389/6117.—S. Sigall and Co. Class 45. (*Gazette* No. 74, of the 23th August, 1906.)  
No. 5390/6759.—C. W. Hawkins. Class 48. (*Gazette* No. 62, of the 11th July, 1907.)  
No. 5391/6849.—J. A. Bock. Class 2. (*Gazette* No. 79, of the 5th September, 1907.)

*Trade Mark Renewal Fees paid.*

FEES paid for the renewal of the undermentioned Trade Marks for fourteen years from the date first mentioned :—

No. 945/738.—27th October, 1907.—The Manawatu Farmer's Co-operative Association, Limited, of Palmerston North, New Zealand. 8th November, 1907.  
Nos. 952/750, 953/751, 954/752, 955/753.—2nd November, 1907.—The New Zealand Candle Company, Limited, of Kaiwarra, New Zealand. 31st October, 1907.  
Nos. 957/721, 958/722.—4th November, 1907. W. Wiggins, of Wellington, New Zealand. 30th October, 1907.  
Nos. 961/937, 962/938.—14th November, 1907.—F. Hodgson, of Leeds, England. 8th November, 1907.  
No. 1001/763.—3rd January, 1908.—W. Strange and Co., of Christchurch, New Zealand. 30th October, 1907.  
Nos. 1025/781, 1026/782.—25th January, 1908.—Horrookses, Crewdson, and Co., Limited, of London and Manchester, England. 30th October, 1907.  
No. 1027/847.—25th January, 1908.—Abram Lyle and Sons, Limited, of London, England. 30th October, 1907.  
Nos. 1037/895, 1038/896, 1039/897.—5th February, 1908.—British-American Tobacco Company, Limited, of London, England. 30th October, 1907.  
No. 1040/785.—6th February, 1908.—British-American Tobacco Company, Limited, of London, England. 30th October, 1907.  
Nos. 1056/881, 1057/882, 1058/883.—16th February, 1908.—British-American Tobacco Company, of London, England. 30th October, 1907.  
Nos. 1148/1080, 1149/1081.—11th June, 1908.—T. C. Williams Company, of Richmond, U.S.A. 30th October, 1907.  
Nos. 1174/1131, 1175/1132, 1176/1133, 1177/1134, 1178/1135, 1179/1136, 1180/1137, 1181/1138, 1182/1139, 1183/1140, 1184/1141.—12th July, 1908.—T. C. Williams Company, Richmond, U.S.A. 30th October, 1907.

*Subsequent Proprietor of Trade Mark registered.*

[NOTE.—The name of the former proprietor is given in brackets; the date is that of registration.]

NO. 2863/2244.—The New Zealand Dairy Association, Limited, a company duly incorporated, and having its registered office at Wellesley Street West, Auckland, in the Dominion of New Zealand. (The Onewhero Co-operative Company, Limited). 31st October, 1907.

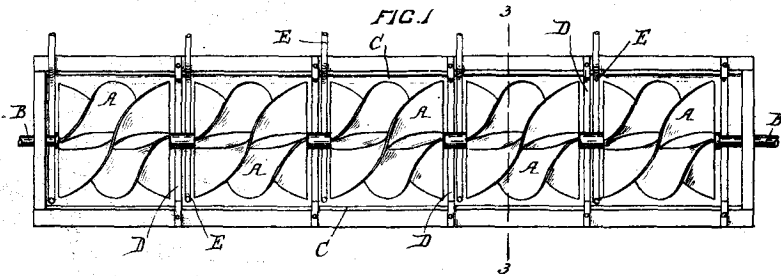
*Trade Marks removed from the Register.*

TRADE Marks removed from the Register, owing to the non-payment of the renewal fees, from the 30th October to the 13th November, 1907, inclusive :—  
No. 861/685.—31st July, 1893.—W. Smith, of Wellington and Dunedin, New Zealand. Class 42.  
No. 862/682.—3rd August, 1893.—W. J. Gandy, of Wellington, New Zealand. Class 42.  
Nos. 865/747, 866/748, 867/749.—7th August, 1893.—C. S. Curtis, of Stratford, New Zealand. Class 42.  
No. 870/692.—12th August, 1893.—The Moa Farmers' Union, Limited, of Inglewood, New Zealand. Class 42.

By Authority : JOHN MACKAY, Government Printer, Wellington.

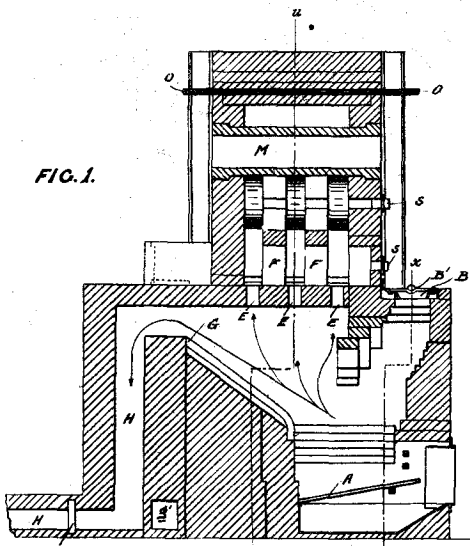
# ILLUSTRATIONS OF INVENTIONS.

[These illustrations refer to the complete specifications accepted, and advertised in this *Gazette*.]



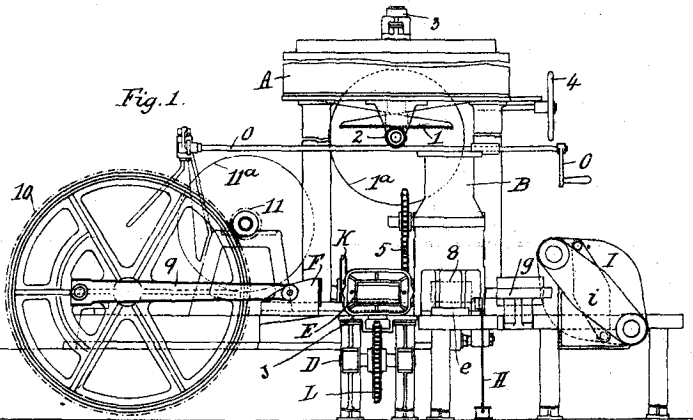
21845  
Langford. Amalgamator.

FIG. 1.

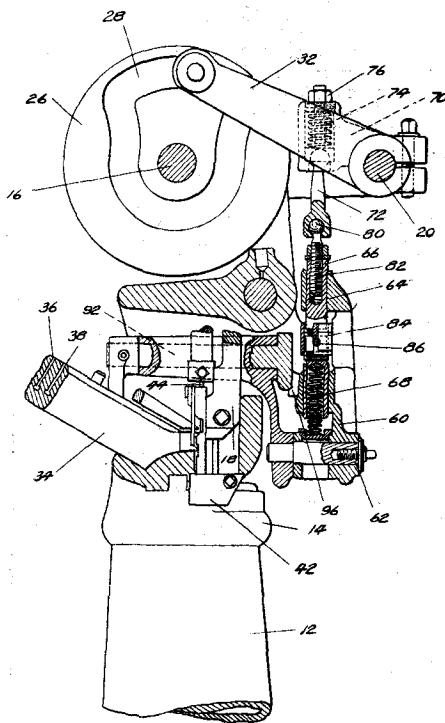
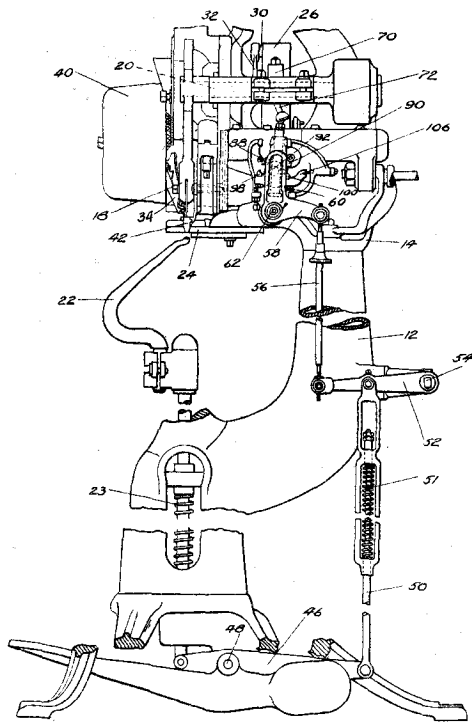


22019  
Suggate and Cayley-Alexander. Ore-treatment.

Fig. 1.

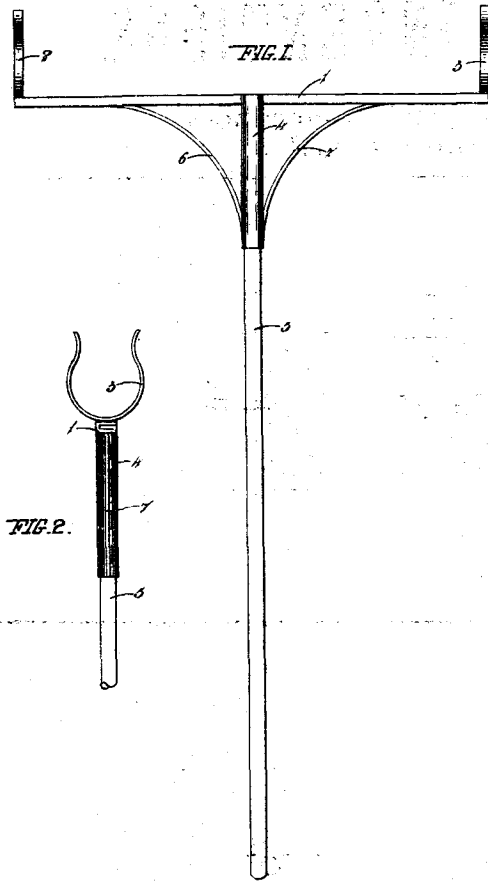


22120  
Cork Asphalt (Ltd.). Block. (Hughes, Quinlan, and Middleton.)

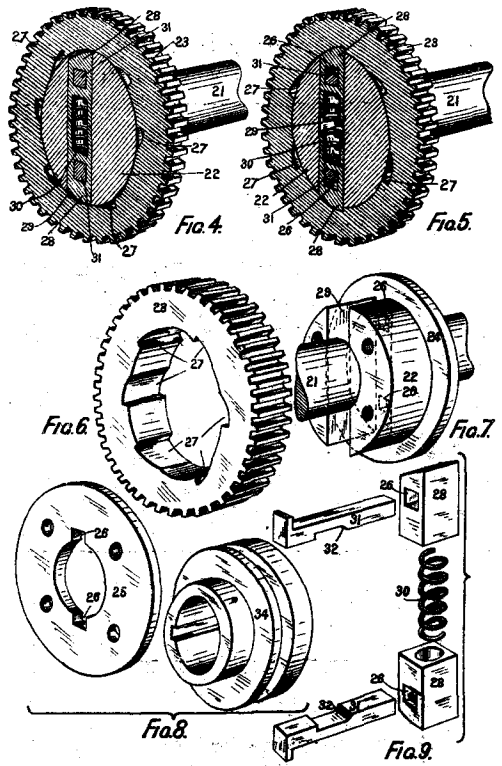


22222  
United Shoe Machinery Co. Fastening-inserter. (Bates and Gamble.)

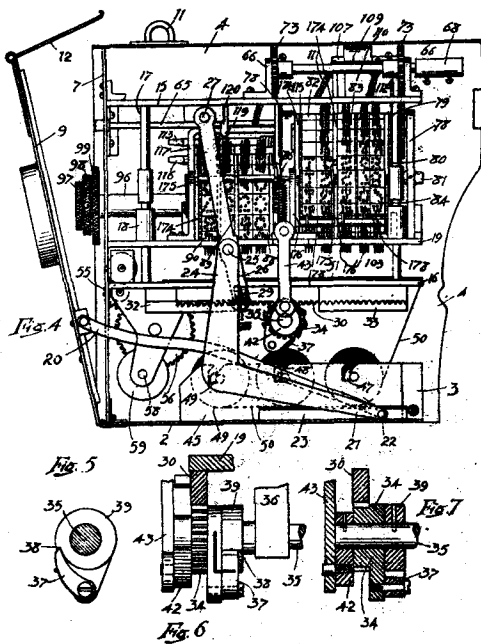




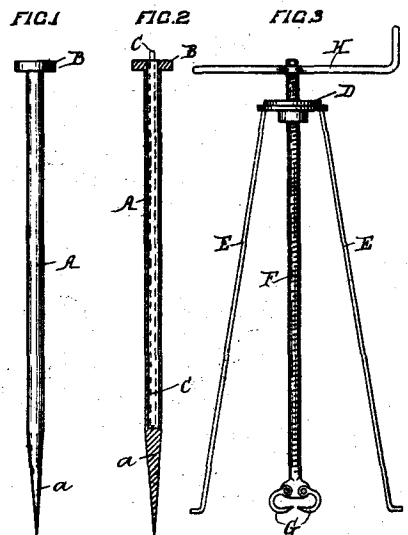
23561  
Curtis. Curtain-pole Lifter.



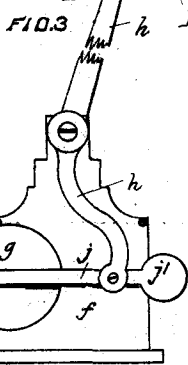
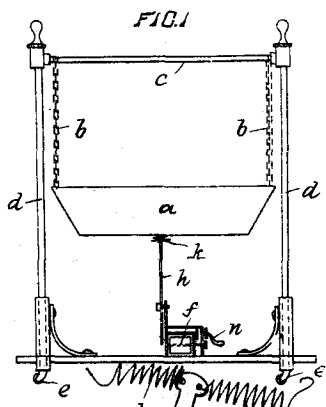
23558  
The Butlin Gear (Ltd.). Power Gear. (Butlin.)



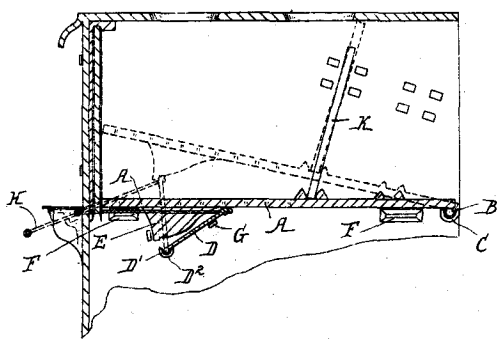
23551  
Gallagher. Billing-machine.



23622  
Cummins. Bale-goods Indicator.



23538 McGarva. Cradle.



23540 White. Range.

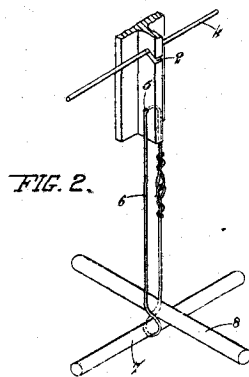


FIG. 2.

23535 Stephenson. Fencing-standard.

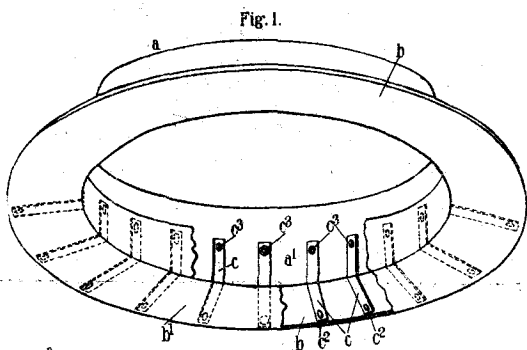


Fig. 1.

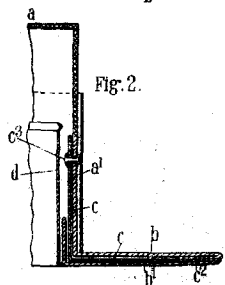
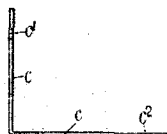
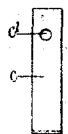


Fig. 2.

Fig. 3.

Fig. 4.



23554 Tress and Co. Hat. (Wright and Childs.)

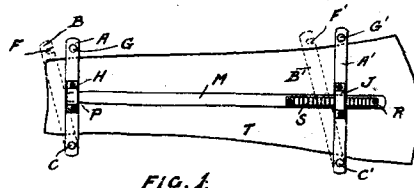


FIG. 1.

23556 Longuet. Trousers-stretcher.

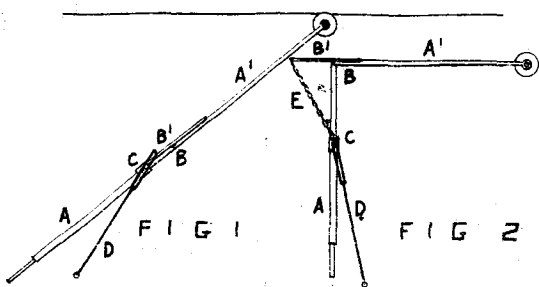
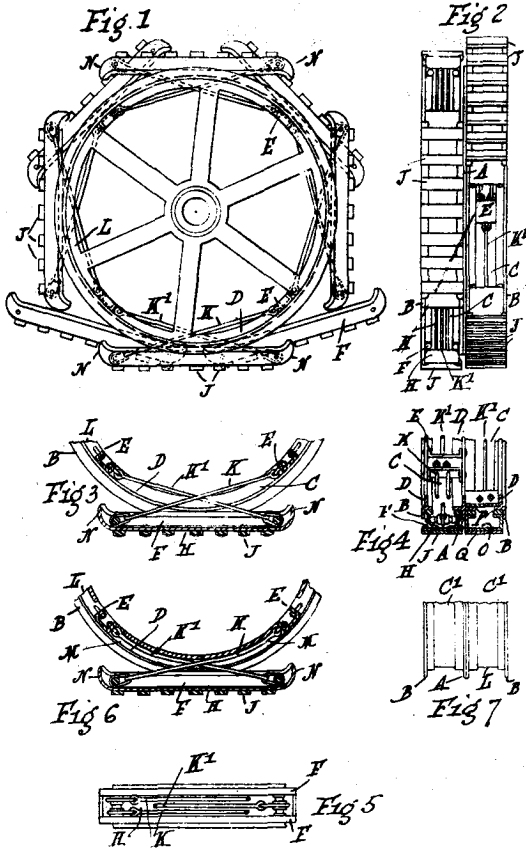


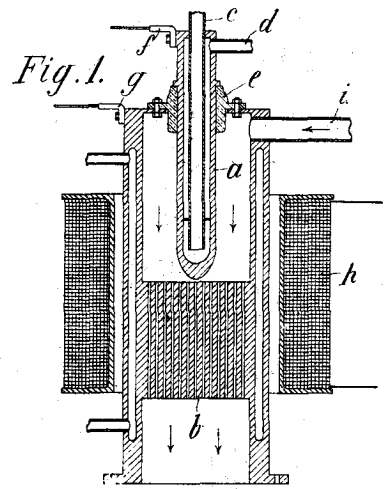
FIG. 1

FIG. 2

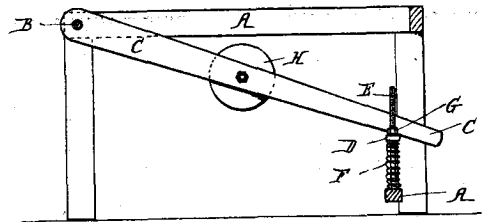
23549 Thomson. Trolley-pole.



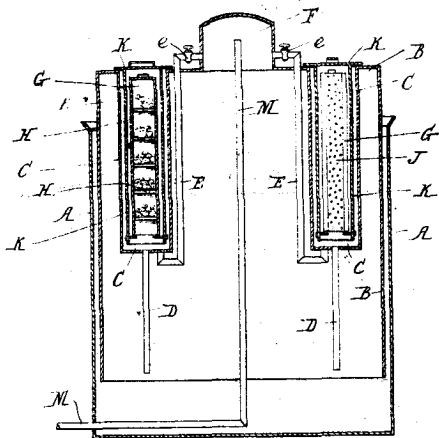
22696  
Bottrill. Wheel.



23242  
Moscicki. Nitro-oxide Producer.



23463  
McIndoe. Flax-stripper.



23527  
Burton. Acetylene-generator.

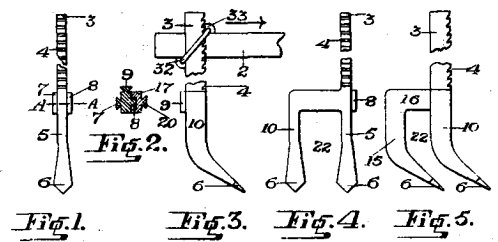
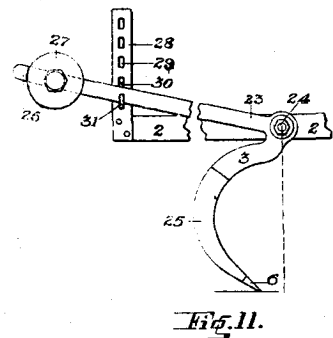


Fig. 1. Fig. 3. Fig. 4. Fig. 5.



23517  
Kemp. Cultivator.